

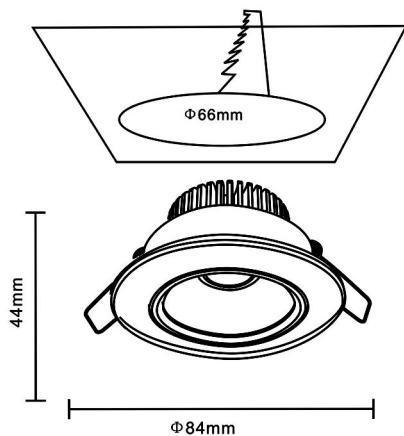
## COB LED DOWNLIGHT USER MANUAL

PLEASE TURN OFF THE POWER CIRCUIT SWITCH AND READ THESE PROCEDURES BEFORE INSTALLATIONS. THE INSTALLATION SHOULD BE DONE BY A QUALIFIED ELECTRICIAN WITH LICENSE.

### PARAMETERS:

- 1)- INPUT VOLTAGE: AC 220-240V 50/60HZ
- 2)- OUTPUT LOAD: 3W
- 3)- WORKING ENVIRONMENT TEMP.: -20°----45°

### INSTALLATION:



MAKE THE HOLE ON CEILING..

CONNECT CABLE TO POWER

INSTALL PRODUCT INTO THE HOLE

SWITCH ON THE POWER

### WARNING:

- 1)- ONLY FOR INDOOR USE
- 2)- IT IS RECOMMENDED THAT IT MUST BE INSTALLED BY PROFESSIONAL PERSONS
- 3)- THE ELECTRICITY MUST BE OFF BEFORE INSTALLATION
- 4)- NO NEED TO USE TRANSFORMER, DIRECTLY COMBINED WITH ELECTRICITY

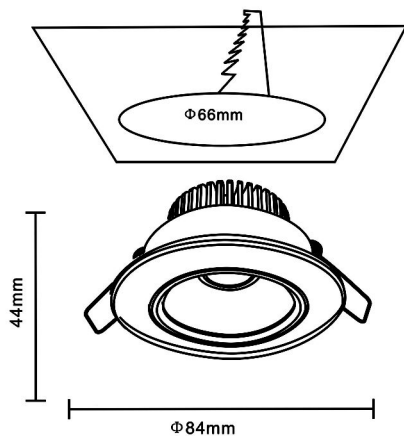
## COB LED DOWNLIGHT USER MANUAL

PLEASE TURN OFF THE POWER CIRCUIT SWITCH AND READ THESE PROCEDURES BEFORE INSTALLATIONS. THE INSTALLATION SHOULD BE DONE BY A QUALIFIED ELECTRICIAN WITH LICENSE.

### PARAMETERS:

- 1)- INPUT VOLTAGE: AC 220-240V 50/60HZ
- 2)- OUTPUT LOAD: 5W
- 3)- WORKING ENVIRONMENT TEMP.: -20°----45°

### INSTALLATION:



MAKE THE HOLE ON CEILING..

CONNECT CABLE TO POWER

INSTALL PRODUCT INTO THE HOLE

SWITCH ON THE POWER

### WARNING:

- 1)- ONLY FOR INDOOR USE
- 2)- IT IS RECOMENDED THAT IT MUST BE INSTALLED BY PROFRSSIONAL PERSONS
- 3)- THE ELECTRICITY MUST BE OFF BEFORE INSTALLATION
- 4)- NO NEED TO USE TRANSFORMER, DIRECTLY COMBINED WITH ELECTRICITY

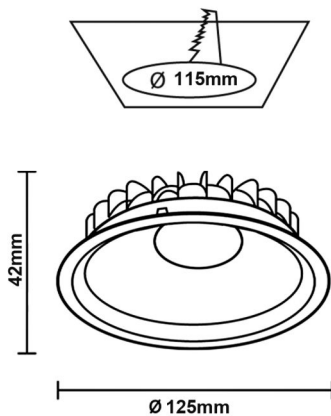
## COB LED DOWNLIGHT USER MANUAL

PLEASE TURN OFF THE POWER CIRCUIT SWITCH AND READ THESE PROCEDURES BEFORE INSTALLATIONS. THE INSTALLATION SHOULD BE DONE BY A QUALIFIED ELECTRICIAN WITH LICENSE.

### PARAMETERS:

- 1)- INPUT VOLTAGE: AC 220-240V 50/60HZ
- 2)- OUTPUT LOAD: 8W
- 3)- WORKING ENVIRONMENT TEMP.: -20°-----45°

### INSTALLATION:



MAKE THE HOLE ON CEILING..

CONNECT CABLE TO POWER

INSTALL PRODUCT INTO THE HOLE

SWITCH ON THE POWER

### WARNING:

- 1)- ONLY FOR INDOOR USE
- 2)- IT IS RECOMMENDED THAT IT MUST BE INSTALLED BY PROFESSIONAL PERSONS
- 3)- THE ELECTRICITY MUST BE OFF BEFORE INSTALLATION
- 4)- NO NEED TO USE TRANSFORMER, DIRECTLY COMBINED WITH ELECTRICITY

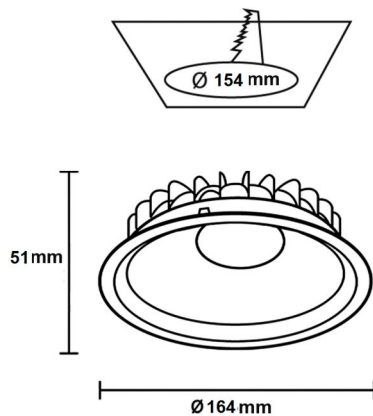
## COB LED DOWNLIGHT USER MANUAL

PLEASE TURN OFF THE POWER CIRCUIT SWITCH AND READ THESE PROCEDURES BEFORE INSTALLATIONS. THE INSTALLATION SHOULD BE DONE BY A QUALIFIED ELECTRICIAN WITH LICENSE.

### PARAMETERS:

- 1)- INPUT VOLTAGE: AC 220-240V 50/60HZ
- 2)- OUTPUT LOAD: **10W**
- 3)- WORKING ENVIRONMENT TEMP.: -20°-----45°

### INSTALLATION:



MAKE THE HOLE ON CEILING..

CONNECT CABLE TO POWER

INSTALL PRODUCT INTO THE HOLE

SWITCH ON THE POWER

### WARNING:

- 1)- ONLY FOR INDOOR USE
- 2)- IT IS RECOMMENDED THAT IT MUST BE INSTALLED BY PROFESSIONAL PERSONS
- 3)- THE ELECTRICITY MUST BE OFF BEFORE INSTALLATION
- 4)- NO NEED TO USE TRANSFORMER, DIRECTLY COMBINED WITH ELECTRICITY

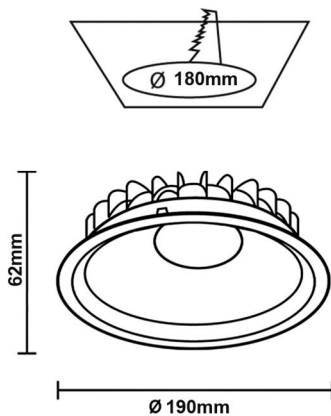
## COB LED DOWNLIGHT USER MANUAL

PLEASE TURN OFF THE POWER CIRCUIT SWITCH AND READ THESE PROCEDURES BEFORE INSTALLATIONS. THE INSTALLATION SHOULD BE DONE BY A QUALIFIED ELECTRICIAN WITH LICENSE.

### PARAMETERS:

- 1)- INPUT VOLTAGE: AC 220-240V 50/60HZ
- 2)- OUTPUT LOAD: 20W
- 3)- WORKING ENVIRONMENT TEMP.: -20°-----45°

### INSTALLATION:



MAKE THE HOLE ON CEILING..

CONNECT CABLE TO POWER

INSTALL PRODUCT INTO THE HOLE

SWITCH ON THE POWER

### WARNING:

- 1)- ONLY FOR INDOOR USE
- 2)- IT IS RECOMMENDED THAT IT MUST BE INSTALLED BY PROFESSIONAL PERSONS
- 3)- THE ELECTRICITY MUST BE OFF BEFORE INSTALLATION
- 4)- NO NEED TO USE TRANSFORMER, DIRECTLY COMBINED WITH ELECTRICITY

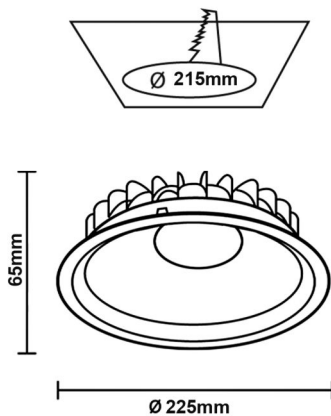
## COB LED DOWNLIGHT USER MANUAL

PLEASE TURN OFF THE POWER CIRCUIT SWITCH AND READ THESE PROCEDURES BEFORE INSTALLATIONS. THE INSTALLATION SHOULD BE DONE BY A QUALIFIED ELECTRICIAN WITH LICENSE.

### PARAMETERS:

- 1)- INPUT VOLTAGE: AC 220-240V 50/60HZ
- 2)- OUTPUT LOAD: **30W**
- 3)- WORKING ENVIRONMENT TEMP.: -20°-----45°

### INSTALLATION:



MAKE THE HOLE ON CEILING..

CONNECT CABLE TO POWER

INSTALL PRODUCT INTO THE HOLE

SWITCH ON THE POWER

### WARNING:

- 1)- ONLY FOR INDOOR USE
- 2)- IT IS RECOMMENDED THAT IT MUST BE INSTALLED BY PROFESSIONAL PERSONS
- 3)- THE ELECTRICITY MUST BE OFF BEFORE INSTALLATION
- 4)- NO NEED TO USE TRANSFORMER, DIRECTLY COMBINED WITH ELECTRICITY